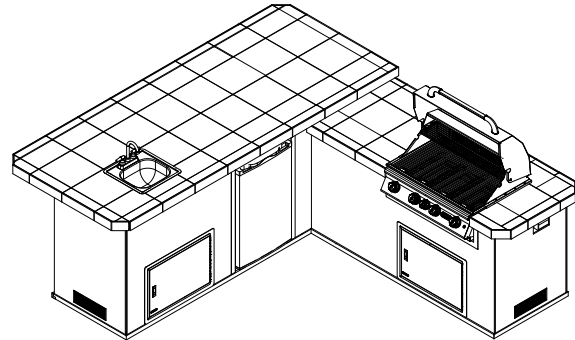
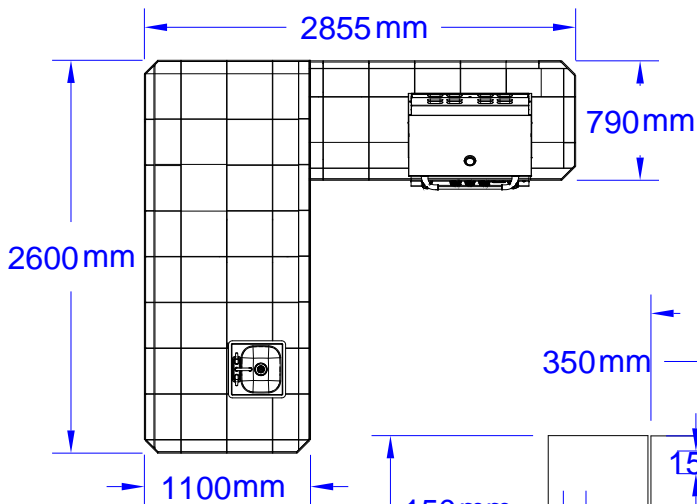




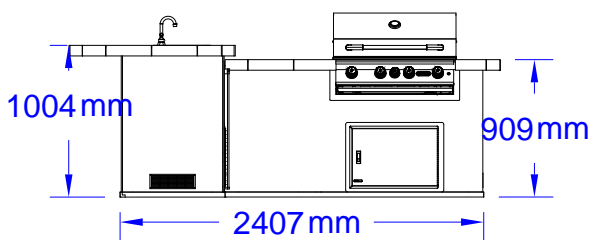
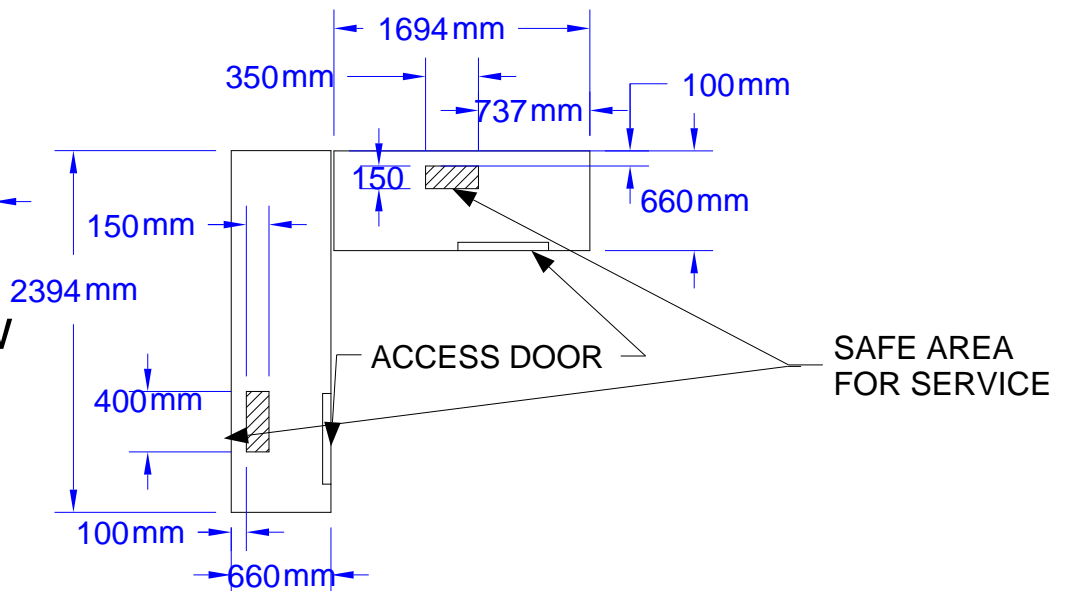
ITEMS: #31020
 STUCCO-GOURMET Q



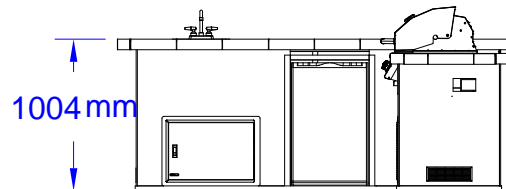
Isometric View



Top View



Front View



Side View

SPEC SHEET NOTES:

1. SCALE: 1 : 50(Printer page scaling none, do not use fit to printable area option)
2. VISION: 12/2018